



238 Pillow Street
Butler, PA 16001
724-283-4681
724-283-5939 (fax)
www.bwieagle.com

PRODUCT INFORMATION BULLETIN

AIR-EAGLE[®] XLT PLUS High Power 900MHz RF Receiver DUAL RELAY OUTPUT MODEL 46-5000-120VAC

DESCRIPTION

The AIR-EAGLE XLT PLUS RF RECEIVER IS a dual relay unit designed to receive unique signals from the Air-Eagle XLT Plus Transmitter, Model 46-1000, located up to several miles away. The AIR-EAGLE XLT PLUS has a transmit output power of 1 watt for dramatic improvement of signal strength through and around buildings and other obstacles. . This unit can operate remote machinery such as pumps, gates, chutes, conveyors etc.

PC BOARD SET-UP INFORMATION

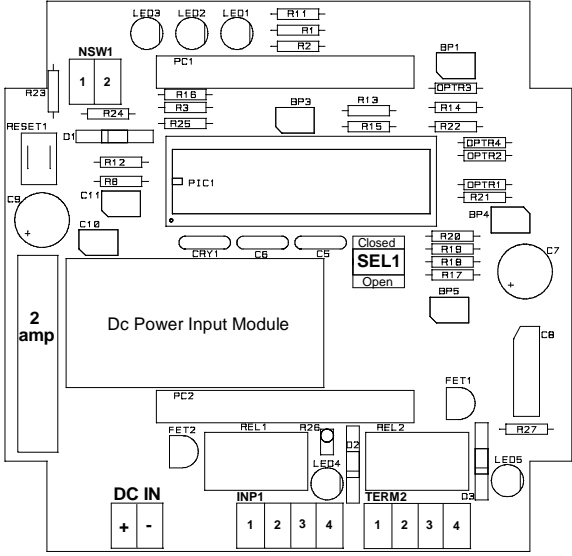
Make the following connections on the PC Board Terminal Strip:

DC INPUT TERMINAL STRIP (DC IN)	
Terminal 1	Positive (+) 12VDC INPUT from 120VAC adapter
Terminal 2	Negative (-) 12VDC INPUT from 120VAC adapter

INPUT 1 TERMINAL STRIP (INP1)	
Terminal 1	N/A
Terminal 2	N/A
Terminal 3	N/A
Terminal 4	N/A

I/O TERMINAL STRIP (TERM2)	
Terminal 1	Relay 1 Common
Terminal 2	Relay 1 N/O
Terminal 3	Relay 2 Common
Terminal 4	Relay 2 N/O

NETWORK SWITCH CONFIGURATION OPTIONS (SEL1)			
SEL 1 (SW1 & 2):	Network Address	SW1	SW2
USED TO SET NETWORK FREQUENCY	#1	OPEN	OPEN
	#2	CLOSED	OPEN
	#3	OPEN	CLOSED
	#4	CLOSED	CLOSED

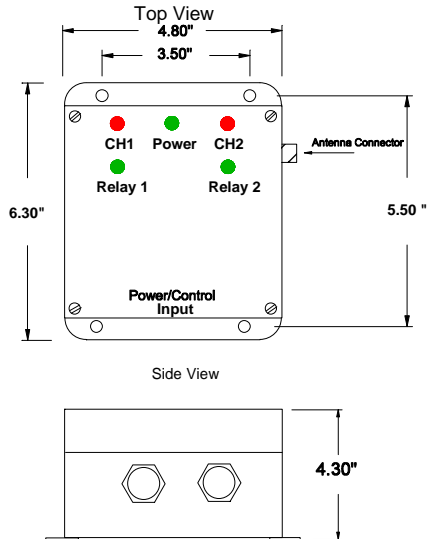


AIR-EAGLE® XLT PLUS

High Power 900MHz RF Receiver
DUAL RELAY OUTPUT

MODEL 46-5000-120VAC

DIMENSIONS & INDICATORS



CH1 LED – Not used on this model.

POWER LED – Green LED illuminates continuously while power is applied to the transceiver.

CH2 LED – Not used on this model

RELAY 1 LED - Green LED illuminates continuously while Relay #1 is energized.

RELAY 2 LED – Green LED illuminates continuously while Relay #2 is energized.

RELAY OPERATION

46-1000 Signals Received	Relay Function
Input 1 Closed	Relay 1 energizes, momentary
Input 2 Closed	Relay 2 energizes, momentary
N/A	Not used on this model
N/A	Not used on this model
N/A	Not used on this model
N/A	Not used on this model
N/A	Not used on this model
N/A	Not used on this model

SPECIFICATIONS

Power Supply	120VAC from wall adapter
Fuse Protected	2 amp
Relay Contacts	SPST N/O 5 amps @ 120VAC
Receiver Range	Approximately 1 Mile (Up to 25 miles with external antenna - see accessories)
Receiver Frequency	900MHz Spread Spectrum
RF Channels	Four independent network frequencies
Enclosure	ABS Plastic, NEMA 3, 3R, 4, 4X, 12, 13
Operating Temp	-40° F - +185° F

REPLACEMENT PARTS & ACCESSORIES

PC Board (Main)	46-5002
Standard Antenna (Included):	
900MHz Portable Antenna (For distances up to 1 Mile*)	49-1103
Optional Antennas and Accessories:	
900MHz Omni Directional Antenna (For distances up to 10 miles*)	49-3101
900MHz 13dB Yagi Antenna Long Range Operation (For distances up to 25 miles*)	49-3102
Flex Coax Cable w/Connectors	49-4000-XX (XX = # of Feet)
Inline Lightning Arrestor	49-5002
* = Line of Sight	

LIMITED WARRANTY STATEMENT

BWI Eagle Inc. warrants the Air-Eagle Remote Control System, if properly used and installed, will be free from defects in material and workmanship for a period of **1 year** after date of purchase. Said warranty to include the repair or replacement of defective equipment. This warranty does not cover damage due to external causes, including accident, problems with electrical power, usage not in accordance with product instructions, misuse, neglect, alteration, repair, improper installation, or improper testing. This limited warranty, and any implied warranties that may exist under state law, apply only to the original purchaser of the equipment, and last only for as long as such purchaser continues to own the equipment. This warranty replaces all other warranties, express or implied including, but not limited to, the implied warranties or merchantability and fitness for a particular purpose. BWI Eagle makes no express warranties beyond those stated here. BWI disclaims without limitation, implied warranties of merchantability and fitness for a particular purpose. Some jurisdictions do not allow the exclusion of implied warranties so this limitation may not apply to you. To obtain warranty service, contact BWI Eagle for a return material authorization. When returning equipment to BWI Eagle, the customer assumes the risk of damage or loss during shipping and is responsible for the shipping costs incurred.

DOCUMENT DATE: 20-Oct-05



238 Pillow Street
Butler, PA 16001
(724) 283-4681
Fax (724) 283-5939
www.bwieagle.com