



238 Pillow Street  
 Butler, PA 16001  
 724-283-4681  
 724-283-5939 (fax)  
 www.bwieagle.com

# PRODUCT INFORMATION BULLETIN

## AIR-EAGLE® FM2 900MHz RF Receiver DUAL RELAY OUTPUT **MODEL 43-4050INT-DC**

### DESCRIPTION

The AIR-EAGLE FM2 RF RECEIVER IS a dual relay output unit designed to receive unique signals from a handheld transmitter located up to 400 feet away. This model comes equipped with an internal antenna and terminal strip for interfacing with external dry contact relay outputs. This unit can operate remote machinery such as pumps, gates, chutes etc.



### PC BOARD SET-UP INFORMATION

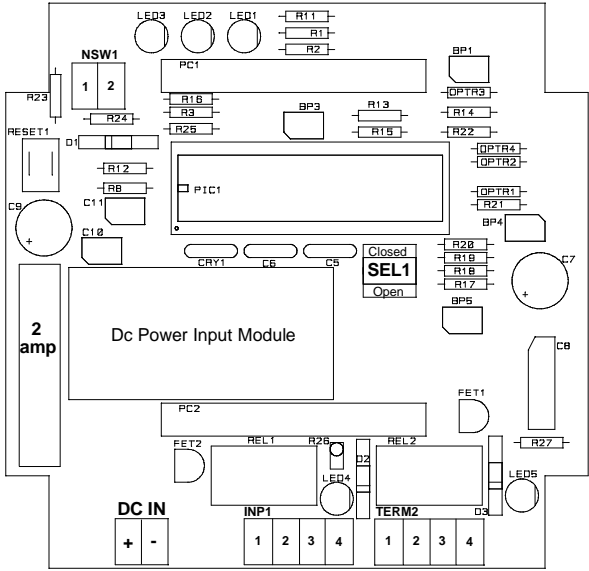
Make the following connections on the PC Board Terminal Strip:

DC INPUT TERMINAL STRIP (DC IN)	
Terminal 1	Positive (+) 9-36 VDC INPUT
Terminal 2	Negative (-) 9-36 VDC INPUT

INPUT 1 TERMINAL STRIP (INP1)	
Terminal 1	CH1 Dry Contact Input (+)
Terminal 2	CH1 Dry Contact Input (Common)
Terminal 3	CH2 Dry Contact Input (Common)
Terminal 4	CH2 Dry Contact Input (+)

I/O TERMINAL STRIP (TERM2)	
Terminal 1	Relay 1 Common
Terminal 2	Relay 1 N/O
Terminal 3	Relay 2 Common
Terminal 4	Relay 2 N/O

NETWORK SWITCH CONFIGURATION OPTIONS (SEL1)			
SEL 1 (SW1 & 2):	Network Address	SW1	SW2
<i>USED TO SET NETWORK FREQUENCY</i>	#1	OPEN	OPEN
	#2	CLOSED	OPEN
	#3	OPEN	CLOSED
	#4	CLOSED	CLOSED

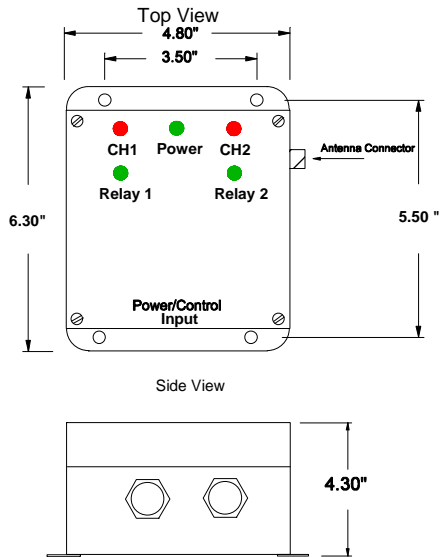


# AIR-EAGLE® FM2

900MHz RF Receiver  
DUAL RELAY OUTPUT

**MODEL 43-4050INT-DC**

## DIMENSIONS & INDICATORS



**CH1 LED** - Red LED illuminates continuously when the contact input for Channel 1 is closed.

**POWER LED** - Green LED illuminates continuously while power is applied to the transceiver.

**CH2 LED** - Red LED illuminates continuously when the contact input for Channel 2 is closed.

**RELAY 1 LED** - Green LED illuminates continuously while Relay #1 is energized.

**RELAY 2 LED** - Green LED illuminates continuously while Relay #2 is energized.

## RELAY OPERATION

Dry Contact Input Signals Received	Handheld Signals Received	Relay Function
Input 1 Closed	Button 1	Relay 1 energizes, latching
Input 2 Closed	Button 2	Relay 1 de-energizes
N/A	Button 3	Not used on this model
N/A	Button 4	Relay 2 energizes, latching
N/A	Button 5	Relay 2 de-energizes
N/A	Button 6	Not used on this model
N/A	Button 7	Not used on this model
N/A	Button 8	Not used on this model
N/A	Button 9	Programming button only - see product information on handheld TX

## SPECIFICATIONS

Power Supply	9 - 36 VDC @ 10 Watts
Fuse Protected	2 amp
Frequency	900MHz Spread Spectrum
RF Channels	Four independent network frequencies
RF Output Power	4mW
TX/RX Range	Up to 400 feet
Transmitter Data	Two DRY Contact Inputs
Relay Contacts	SPST N/O 5 amps @ up to 36VDC
Enclosure	ABS Plastic, NEMA 3, 3R, 4, 4X, 12, 13
Operating Temp	-40° F - +185° F

## REPLACEMENT PARTS & ACCESSORIES

PC Board (Main)	43-4052
-----------------	---------

## LIMITED WARRANTY STATEMENT

BWI Eagle Inc. warrants the Air-Eagle Remote Control System, if properly used and installed, will be free from defects in material and workmanship for a period of **1 year** after date of purchase. Said warranty to include the repair or replacement of defective equipment. This warranty does not cover damage due to external causes, including accident, problems with electrical power, usage not in accordance with product instructions, misuse, neglect, alteration, repair, improper installation, or improper testing. This limited warranty, and any implied warranties that may exist under state law, apply only to the original purchaser of the equipment, and last only for as long as such purchaser continues to own the equipment. This warranty replaces all other warranties, express or implied including, but not limited to, the implied warranties of merchantability and fitness for a particular purpose. BWI Eagle makes no express warranties beyond those stated here. BWI disclaims without limitation, implied warranties of merchantability and fitness for a particular purpose. Some jurisdictions do not allow the exclusion of implied warranties so this limitation may not apply to you. To obtain warranty service, contact BWI Eagle for a return material authorization. When returning equipment to BWI Eagle, the customer assumes the risk of damage or loss during shipping and is responsible for the shipping costs incurred.

DOCUMENT DATE: 21-Jan-05



238 Pillow Street  
Butler, PA 16001  
(724) 283-4681  
Fax (724) 283-5939  
[www.bwieagle.com](http://www.bwieagle.com)